



DATA SHEET
RTBE-D25D
CUA32 BACK END TOWARDS THIRD PARTY XY2-100 SCANHEADS

NEWSON NV

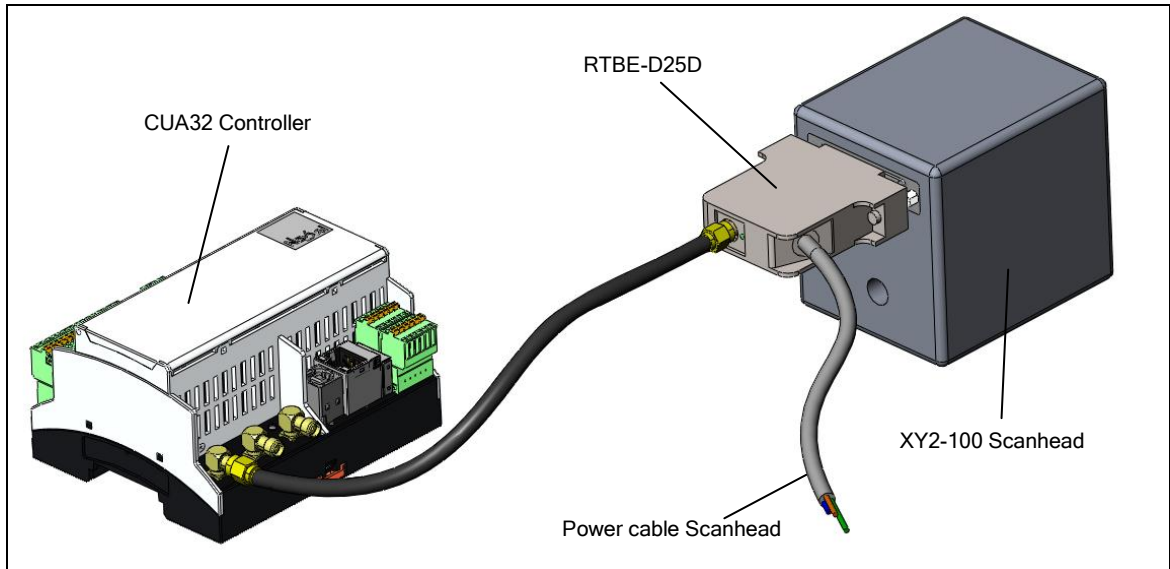
Table of Contents

1	FEATURES	3
2	TYPICAL APPLICATION CONNECTIONS.....	3
3	DIMENSIONS.....	3
4	PIN ASSIGNMENT	4
4.1	SMA COAX CONNECTOR.....	4
4.2	INTERNAL 4 PIN POWER CONNECTION.....	4
4.3	25 PIN SUB-D PLUG XY2-100	4

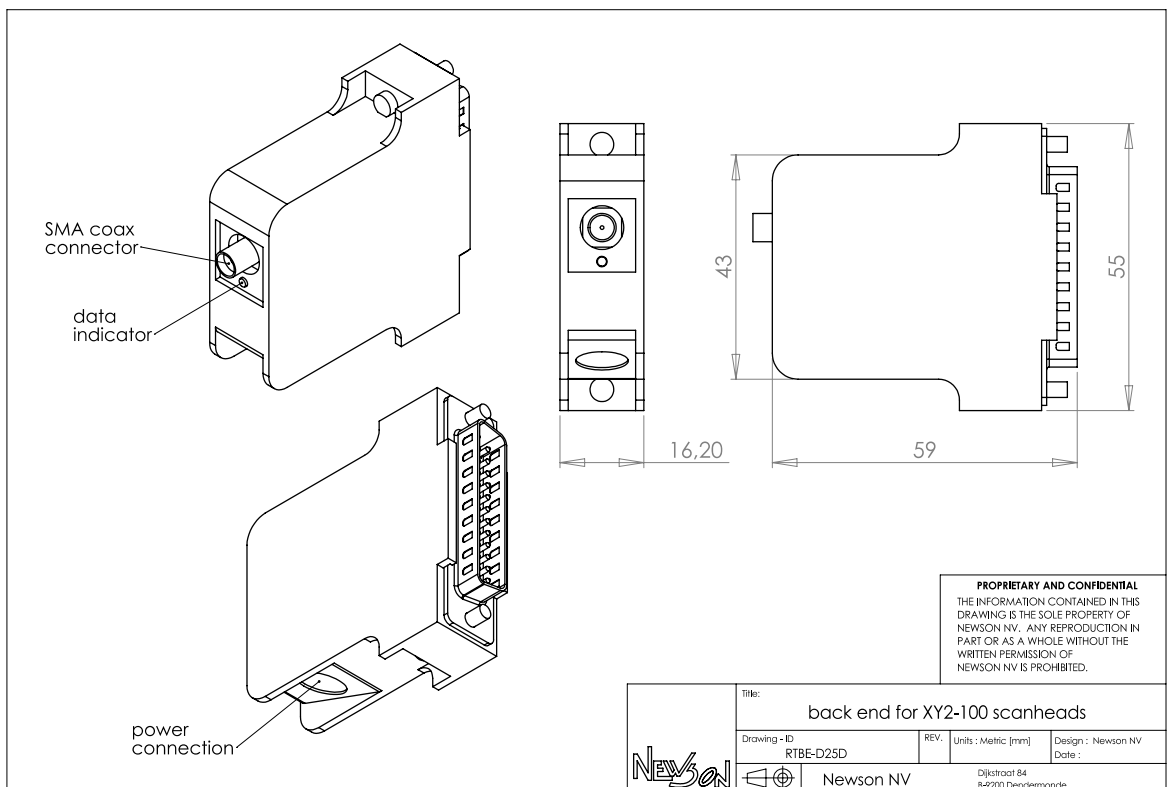
1 FEATURES

- Use CUA32 steering boards with XY2-100 scan heads
- Interface to XY and XYZ deflection units with XY2-100 standard
- Direct plugging with power over XY2-100 connection

2 TYPICAL APPLICATION CONNECTIONS



3 DIMENSIONS



4 PIN ASSIGNMENT

4.1 SMA COAX CONNECTOR

Connection towards CUA32 controller, providing X/Y/Z setpoint data

4.2 INTERNAL 4 PIN POWER CONNECTION

Providing power supply to XY2-100 deflection system



Pin No.	Name	Description
1	PWS+ in	Scanner power supply input, internally connected to PWS+ out of XY2-100 connector
2	PWS0 in	Scanner power supply input, internally connected to PWS0 out of XY2-100 connector
3	PWS0 in	Scanner power supply input, internally connected to PWS0 out of XY2-100 connector
4	PWS- in	Scanner power supply input, internally connected to PWS- out of XY2-100 connector

4.3 25 PIN SUB-D PLUG XY2-100

Standard XY2-100 connection for direct plugging into XY2-100 deflection system

Pin No.	Name	Description
1 / 14	SENDCK- / SENDCK+	Continuously running clock
2 / 15	SYNC- / SYNC+	Synchronises data transfer
3 / 16	X- / X+	CHANNELX: Data to X axis
4 / 17	Y- / Y+	CHANNELY: Data to Y axis
5 / 18	Z- / Z+	CHANNELZ: Data to Z axis
9,10,22	PWS+ out	Scanner power supply output, PWS+
11,23,24	PWS0 out	Scanner power supply output, GND
12,13,25	PWS- out	Scanner power supply output, PWS-