

DATA SHEET
XY2-DC-2

XY2-100 ADAPTER BASE PLATE FOR RHOTHOR SMART DEFLECTORS™

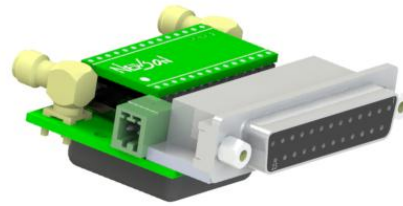
NEWSON NV

Table of Contents

| | | |
|----------|---|----------|
| 1 | FEATURES | 3 |
| 2 | TYPICAL SETUPS | 3 |
| 3 | INTERNAL SCHEME..... | 3 |
| 4 | PIN ASSIGNMENT | 4 |
| 4.1 | XY2-100 INPUT..... | 4 |
| 4.2 | POWER CONNECTOR | 4 |
| 5 | XY2-100 STANDARD PROTOCOL INFORMATION..... | 5 |
| 6 | DIMENSIONS..... | 5 |

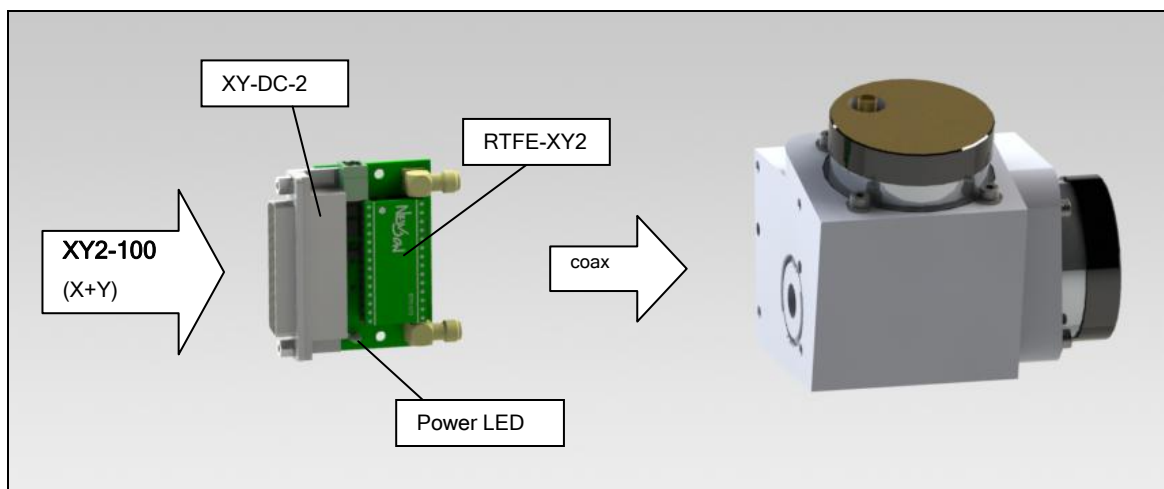
1 FEATURES

- Compact baseplate for a single RTFE-XY2 front end IC
- Support for XY2-100 standard with 16-bit set points
- Dual Channel X and Y
- Standard 25 pin DSUB female connector
- Supports scanners generation 3 (RTA-ARXXX-3G)
- Power connection

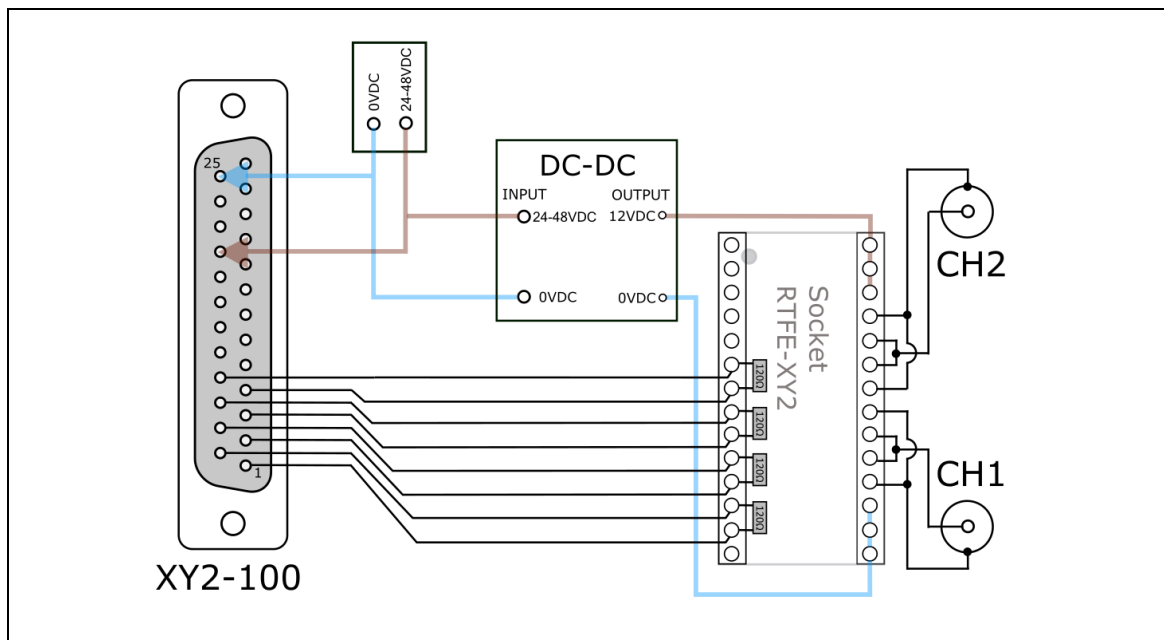


2 TYPICAL SETUPS

Connect a third party XY2-100 steering board with a 2D rhotor deflection system using the XY2-DC-2 module equipped with a RTFE-XY2 IC.



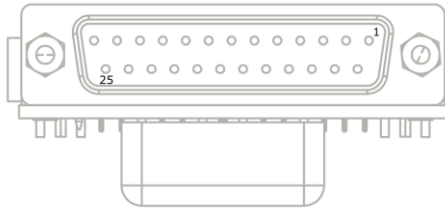
3 INTERNAL SCHEME



4 PIN ASSIGNMENT

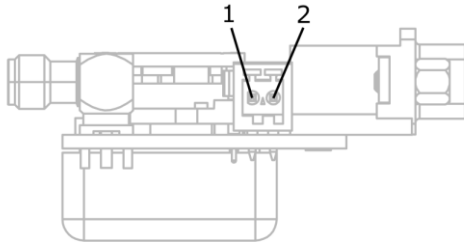
4.1 XY2-100 INPUT

Connector Type: 25 pin sub-D socket Female



| Pin No. | Name | Description |
|----------|-------------|--|
| 1 / 14 | IO1- / IO1+ | SENDCK: Continuously running clock, terminated with 120Ω |
| 2 / 15 | IO2- / IO2+ | SYNC: Synchronises data transfer, terminated with 120Ω |
| 3 / 16 | IO3- / IO3+ | CHANNEL1: Data to Channel1, terminated with 120Ω |
| 4 / 17 | IO4- / IO4+ | CHANNEL2: Data to Channel2, terminated with 120Ω |
| 9,10,22 | PWS+ | Scanner power supply input |
| 11,23,24 | PWS0 | Scanner power supply input |
| 12,13,25 | PWS- | Scanner power supply input |

4.2 POWER CONNECTOR

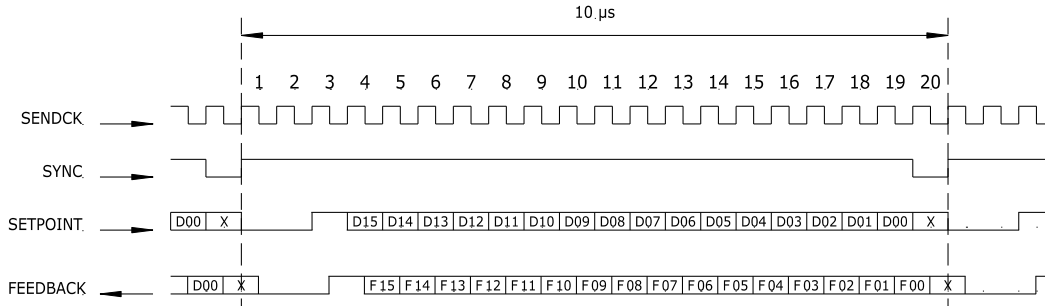


Connector Type: Phoenix MC 0,5/2-G-2,5

Connect only when XY2-100 input cable does not provide scanner power supply input

| Pin No. | Name | Description |
|---------|------|---------------------|
| 1 | DC+ | DC input : 24-48VDC |
| 2 | DC0 | DC input : 0V |

5 XY2-100 STANDARD PROTOCOL INFORMATION



[D15-D00]: Set point, offset binary
 [F15-F00]: Actual position, offset binary
 [X]: DC

6 DIMENSIONS

